

UNSHIELDED RADIAL POWER INDUCTOR



P11R20810 SERIES



- Small footprint package
- High efficiency and low cost
- Open construction with sleeve to protect winding
- Operating temperature range: -40°C to +85°C
- Storage temperature range: -40°C to +125°C
- RoHS compliant product

ELECTRICAL SPECIFICATION @ 25°C

Part Number	Inductance (μ H)	Q (Min)	DCR (Ω) (Max)	Isat (A)
P11R20810-1R0M	1.0	90	0.02	3.40
1R2M	1.2	90	0.02	3.40
1R5M	1.5	95	0.02	3.40
1R8M	1.8	95	0.03	3.30
2R2M	2.2	100	0.03	3.00
2R7M	2.7	110	0.04	3.00
3R3M	3.3	110	0.04	3.00
3R9M	3.9	110	0.05	2.90
4R7M	4.7	110	0.05	2.90
5R6M	5.6	110	0.06	2.60
6R8M	6.8	90	0.06	2.50
8R2M	8.2	80	0.06	2.00
100K	10	90	0.10	1.60
120K	12	90	0.10	1.40
150K	15	90	0.10	1.30
180K	18	80	0.11	1.20
220K	22	70	0.13	1.10
270K	27	70	0.14	1.00
330K	33	70	0.16	0.90
390K	39	70	0.16	0.80
470K	47	70	0.16	0.70
560K	56	60	0.22	0.70
680K	68	60	0.23	0.60
820K	82	60	0.27	0.50
101K	100	40	0.29	0.40
121K	120	40	0.33	0.40
151K	150	40	0.46	0.35
181K	180	40	0.51	0.35
221K	220	40	0.62	0.30

Dimensions

Unless otherwise specified, all tolerances are:
 inch: .XX : ± 0.015 .XXX : ± 0.004
 mm: X,X : ± 0.38 X,XX : ± 0.10

Product performance is limited to specified parameters. Data is subject to change without prior notice.

13200 Estrella Ave., Bldg. B
Gardena, CA 90248

Tel: 310-325-1043
Fax: 310-325-1044

www.mpsind.com
sales@mpsind.com

UNSHIELDED RADIAL POWER INDUCTOR



P11R20810 SERIES

ELECTRICAL SPECIFICATION @ 25°C

Part Number	Inductance (μ H)	Q (Min)	DCR (Ω) (Max)	Isat (A)
P11R20810-				
271K	270	30	0.65	0.25
331K	330	30	0.79	0.25
391K	390	30	0.91	0.20
471K	470	30	1.2	0.18
561K	560	30	1.2	0.16
681K	680	30	1.5	0.14
821K	820	25	1.7	0.14
	Inductance (mH)			
102K	1.0	50	2.0	0.12
122K	1.2	45	2.3	0.10
152K	1.5	45	2.9	0.08
182K	1.8	45	3.5	0.08
222K	2.2	50	4.2	0.07
272K	2.7	50	5.1	0.06
332K	3.3	50	6.1	0.06
392K	3.9	50	8	0.05
472K	4.7	55	11	0.05
562K	5.6	55	11	0.045
682K	6.8	55	14	0.045
822K	8.2	60	15	0.040
103K	10	100	20	0.035
123K	12	100	24	0.035
153K	15	100	28	0.035
183K	18	100	42	0.030
223K	22	100	43	0.030
273K	27	100	55	0.025
333K	33	90	65	0.025
393K	39	90	87	0.025
473K	47	85	98	0.250
563K	56	80	128	0.020
683K	68	70	141	0.020
823K	82	70	161	0.020
104K	100	55	180	0.020

- Inductance measured : < 100 μ H : 100KHz, 0.25V_{RMS}
: \geq 100 μ H : 1KHz, 0.25V_{RMS}
- I_{RATED}: 10% drop typical from initial inductance value and/or Δ T=40°C Temp Rise typical
- Inductance Tolerance: M = \pm 20%, K = \pm 10%
- Package: Bulk Pack

Dimensions

Unless otherwise specified, all tolerances are:
 inch: .XX : \pm 0.015 .XXX : \pm 0.004
 mm: X,X : \pm 0.38 X,XX : \pm 0.10

Product performance is limited to specified parameters. Data is subject to change without prior notice.

13200 Estrella Ave., Bldg. B
Gardena, CA 90248

Tel: 310-325-1043
Fax: 310-325-1044

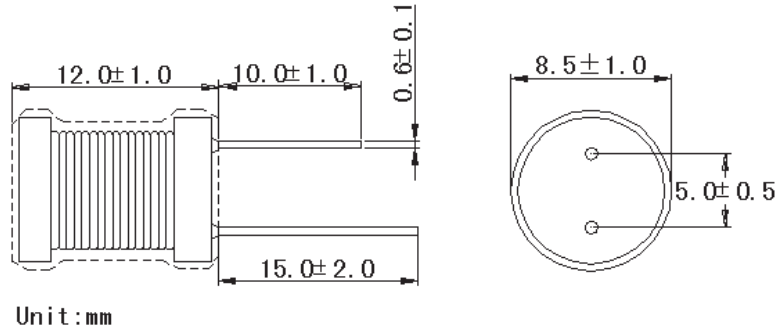
www.mpsind.com
sales@mpsind.com

UNSHIELDED RADIAL POWER INDUCTOR



P11R20810 SERIES

DIMENSIONS



Product performance is limited to specified parameters. Data is subject to change without prior notice.

Dimensions
Unless otherwise specified, all tolerances are:
inch: .XX : ± 0.015 .XXX : ± 0.004
mm: X,X : $\pm 0,38$ X,XX : $\pm 0,10$

13200 Estrella Ave., Bldg. B
Gardena, CA 90248

Tel: 310-325-1043
Fax: 310-325-1044

www.mpsind.com
sales@mpsind.com